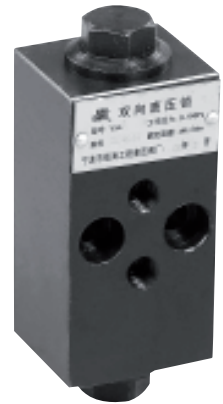
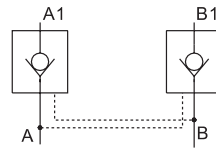


YS DOUBLE-DIRECTION HYDRAULIC LOCK

YS series double-direction lock is used to close two oil ports for pressure maintaining.

The valve features: long time no leakage, good pressure maintaining.

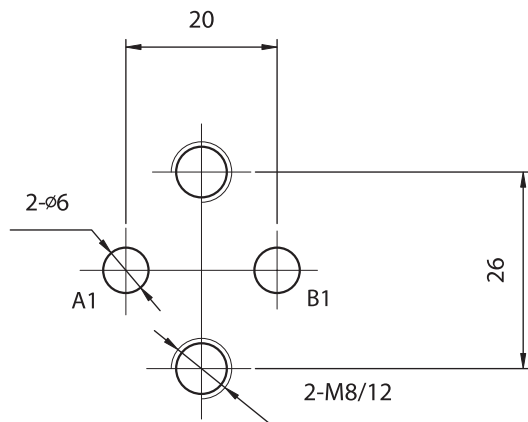


Model	YS S - 6 A	Structure form
Double-direction		Size

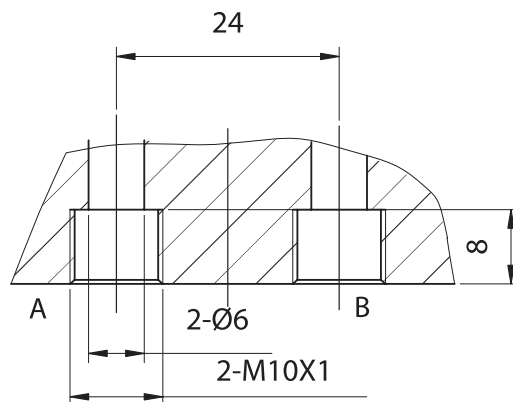
Technical data

公称压力	Nominal pressure (MPa)	31.5
额定流量	Flow rate (L/min.)	25

Installation Dimensions



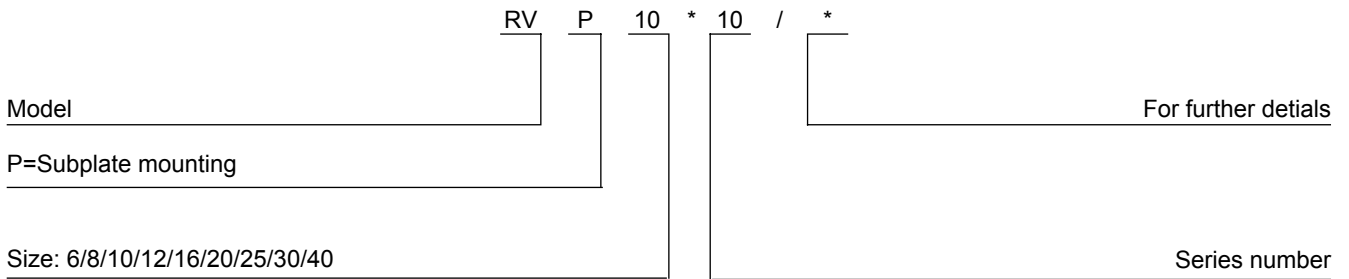
Oil connection ports



RVP SERIES CHECK VALVES

RVP series check valves allow free flow in one direction and block flow in the counter direction.

The valve connection is subplate mounting.



Technical data

Size	6	8	10	12	16	20	25	30	40	Max. operating pressure	Cracking pressure
Rated flow(L/min.)	15	30	50	80	100	200	300	380	460	31.5	0.05

▶ Operating curves

